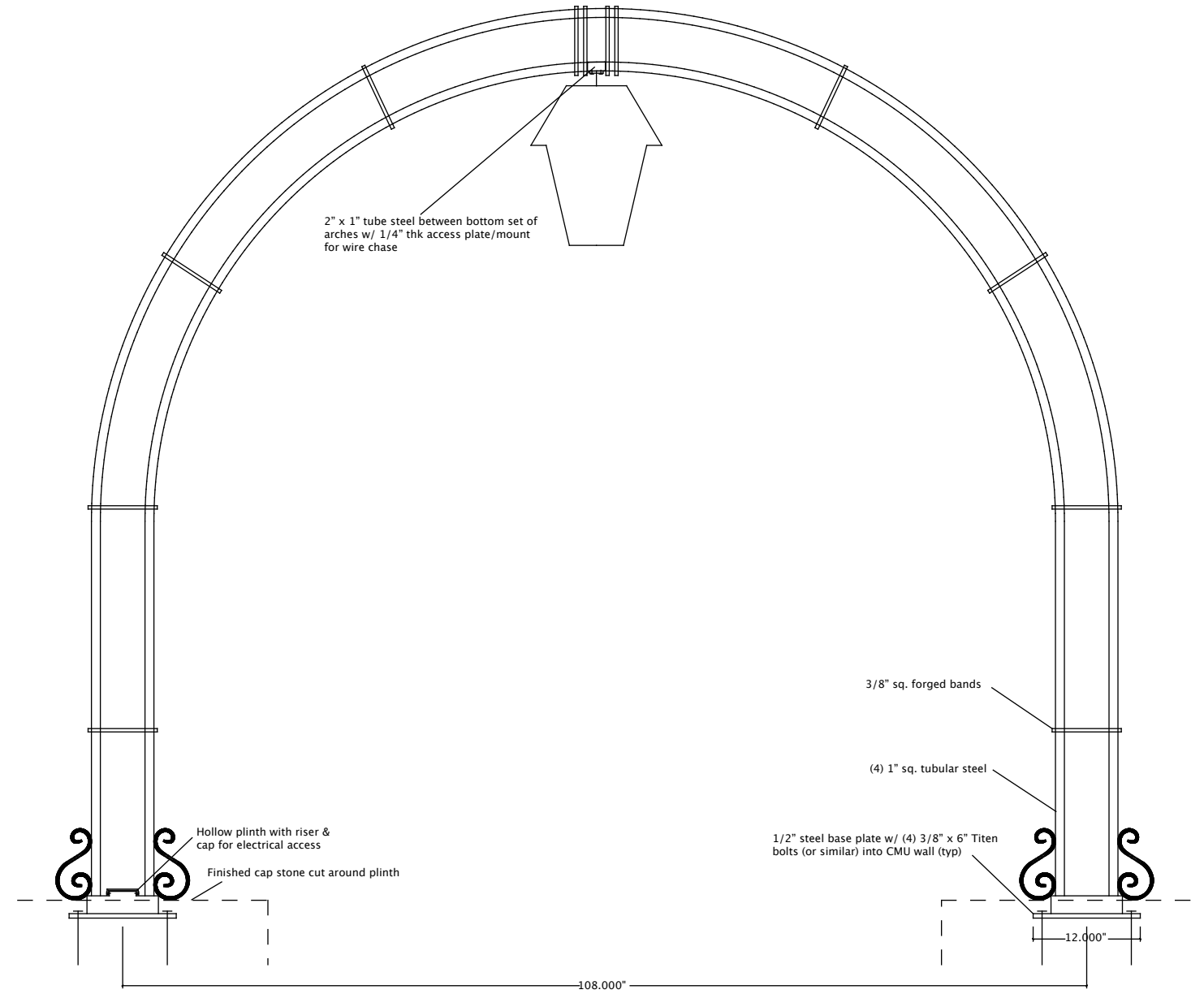


CONCEPTUAL OLIVE LEAVES OPTION



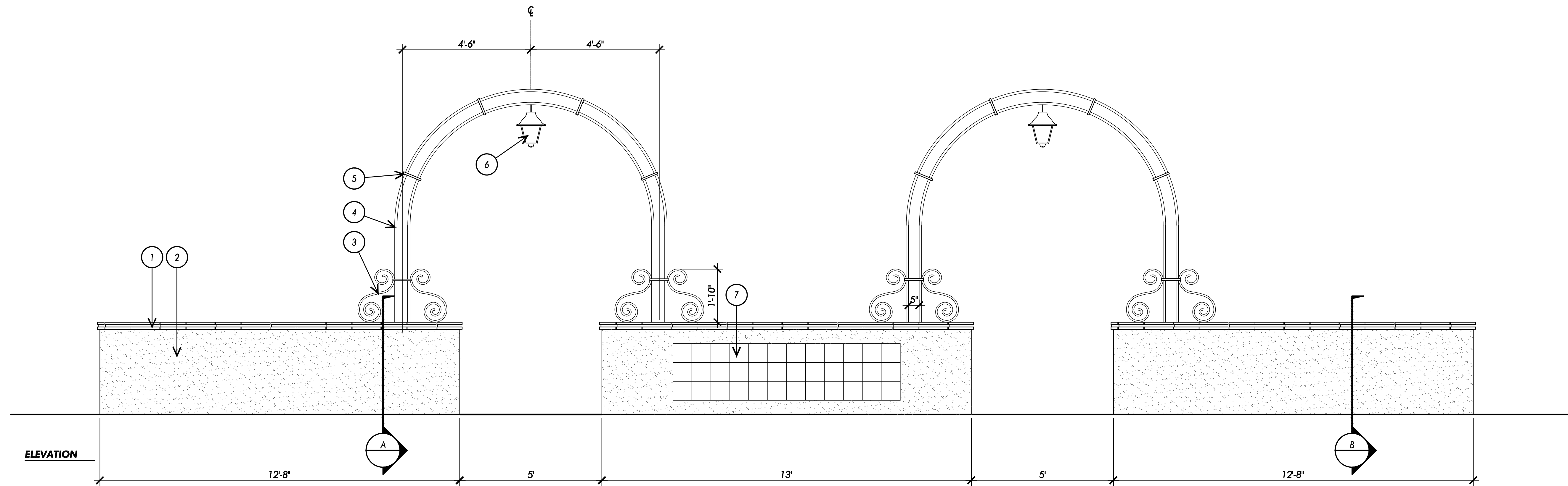
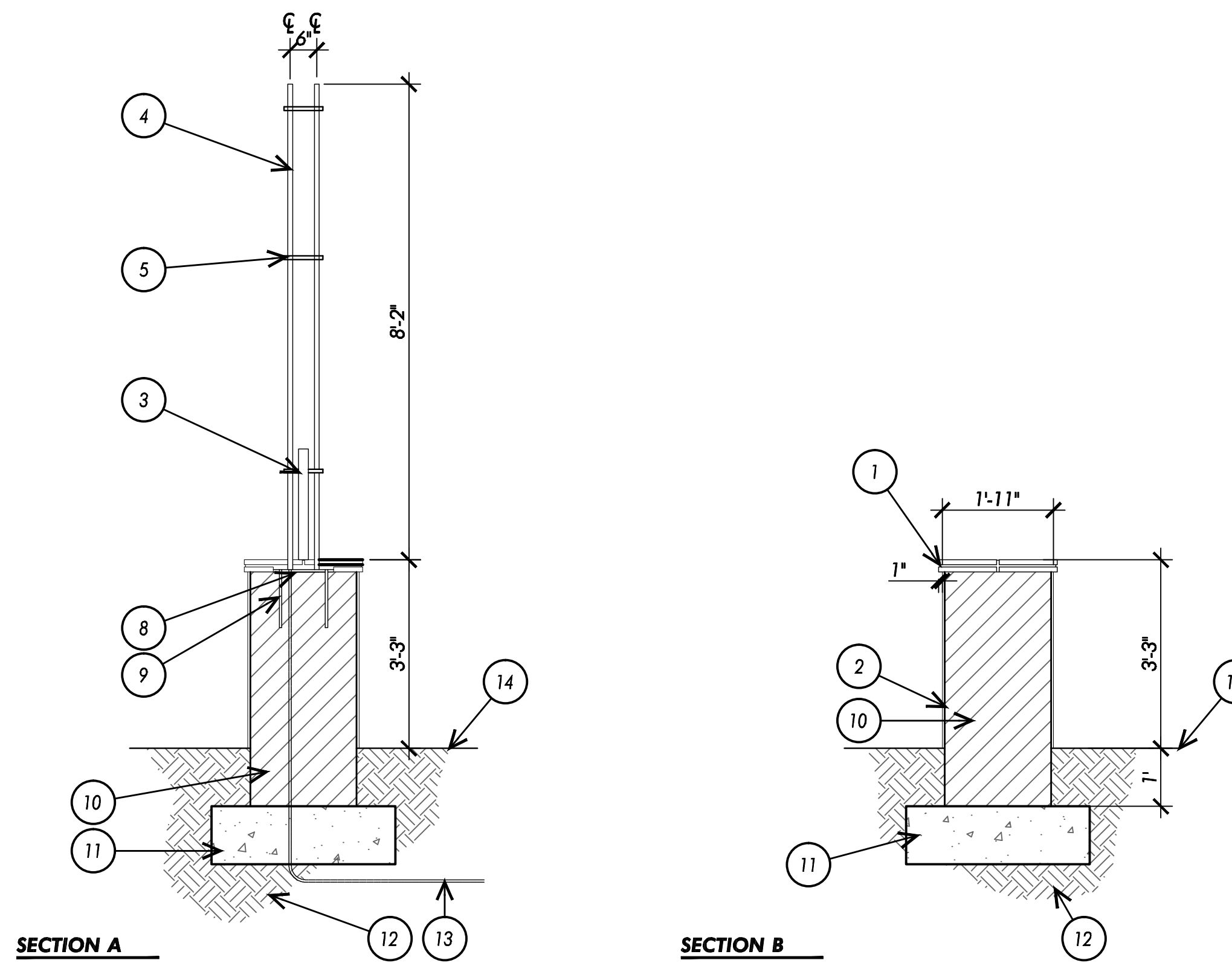
CONCEPTUAL SPANISH SCROLLS OPTION

LEGEND

1. 12"x12" double tile cap with 1/2" colored grout joints and 1/2" overhang. Cap to be Super Artillo, available from Arto Brick
2. Stucco finish to match architecture.
3. 2"x3/4" solid hammered steel scrollwork
4. 1" solid hammered barstock
5. 3/4" solid hammered steel bands
6. Decorative lantern
7. 8"x8" decorative cement tile from Arto Brick.
8. 12" square weld plate per structural
9. Lag bolt connection to wall. Size and depth per structural
10. CMU build-up
11. Concrete footing per Structural Engineer
12. 90% compacted subgrade
13. Electrical conduit for light fixture
14. Finished grade

NOTES

- A. Refer to Construction Schedule for type, color and finish.
- B. Refer to Structural Engineer's plan for connections, reinforcing and footing.
- C. Decorative tile and Wall cap tile from Arto Brick. 310-768-8500



ENTRY ARBOR AND SIGNAGE

* NOTE: FINAL ARCH DESIGN TO BE PROVIDED BY PUBLIC ARTIST

Entry Trellis and Wall.dwg
Scale:
1/2" = 1'-0"

ENTRY TRELLIS DETAIL
HAMILTON VILLAGE
NOVATO, CA